

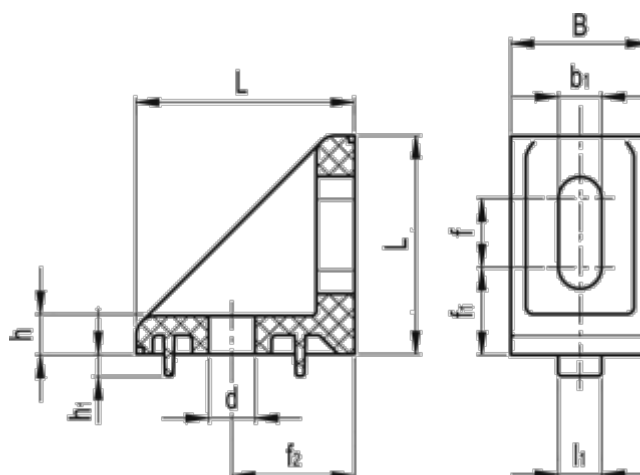
# Data Sheet



Article number: 2310156115

Description: Connection angle 156115  
SQT.40-18-AF-8

## Measures



B = 18.5	L = 40
b1 = 8.5	l1 = 8
d = 8.5	Weight (g) = 13
f = 13	
f1 = 14.5	
f2 = 22.5	
h = 7	
h1 = 4	